

GROUND PLATFORM — UGV

TITAN

Unmanned ground robotic system — an autonomous or remotely operated vehicle for recovery and evacuation of equipment and UGVs up to 1000 kg on the line of contact and in grey zones. 700 kg manipulator, airless wheels, 360° camera coverage.

RECOVERY

UP TO 1000 KG

STARLINK

FHSS 430 MHZ

700 KG MANIPULATOR

1000 kg
PAYLOAD

700 kg
MANIPULATOR

240 min
RUNTIME

15 km/h
SPEED

20 km
LINK RANGE

PLATFORM

Base size (L×W×H)	1950 × 1900 × 660 mm
Payload capacity	1000 kg
Manipulator	up to 700 kg
Wheels	airless, multi-width
Sides	drop-to-ground loading
Role	vehicle & UGV recovery

DRIVE & POWER

Drive	geared motor + ESC
ESC generation	next-gen, in-house
Travel speed	15 km/h
Runtime	240 min (4 batteries)
Batteries	4 × pack
Charging	hybrid 240/400 V / generator

COMMS & NAVIGATION

Radio link	FHSS 430 MHz (720/865/915)
LOC channel	STARLINK (or any)
Range (radio)	up to 20 km
Control	radio handset
Station	mobile, remote antennas

CAMERAS & OPTIONS

Drive cameras	4 units
Pan cameras	2 units (lower view)
Control tablet	rugged + app
Carrier-drone mode	yes
Mounts	custom

PACKAGE CONTENTS

- 4 × battery packs + hybrid charging station
- Mobile station with remote antennas
- Mounting kit (custom)
- Rugged control tablet with proprietary app
- Radio handset for drive control



GROUND PLATFORM — UGV

SURPRISE

Unmanned ground robotic system — an autonomous or remotely operated vehicle for cargo logistics up to 400 kg on the line of contact and in grey zones. IP68 protection, skid-steer drive, 360° camera coverage.

LOGISTICS

UP TO 400 KG

IP68

STARLINK MINI

SKID-STEER

400 kg
PAYLOAD

240 min
RUNTIME

15 km/h
SPEED

20 km
LINK RANGE

6 units
CAMERAS

PLATFORM

Base size (L×W×H)	1950 × 1920 × 660 mm
Height (raised)	up to 1460 mm
Payload capacity	400 kg
Protection	IP68 (body + battery)
Drive	skid-steer
Role	cargo logistics

DRIVE & POWER

Drive	geared motor + ESC
Cooling	optional liquid
Travel speed	15 km/h
Runtime	240 min (4 batteries)
Batteries	4 × pack
Charging	hybrid 240/400 v / generator

COMMS & CONTROL

Radio link	FHSS 430 MHz
LOC channel	STARLINK Mini
Range (radio)	up to 20 km
Autopilot	Cube Orange (ArduROVER)
Companion computer	Raspberry Pi 5

CAMERAS & OPTIONS

Drive cameras	4 units
Pan cameras	2 units (under wheels)
Control tablet	rugged + app
Modes	carrier / relay / recovery
Mounts	custom

PACKAGE CONTENTS

- 4 × battery packs + hybrid charging station
- Mobile station with remote antennas
- Radio handset for drive control
- Rugged control tablet with proprietary app
- STARLINK Mini terminal



GROUND ROBOTIC SYSTEM

UGV 1500

Six-wheel ground platform with skid-steer control and 200 kg payload. Sprung suspension, Mayhem ITP tires, mounts for robotic arms, manipulators and a casualty-evacuation system.

200 KG

6×6

4G LINK

GNSS RTK

SKID-STEER

200 kg
PAYLOAD

180 min
RUNTIME

10 km
RANGE

18 km
WITH REPEATER

2 pcs
BATTERIES

PLATFORM

Base size	1200 × 1500 × 700 mm
Payload	200 kg
Wheelbase	6×6, skid-steer
Suspension	sprung
Tires	Mayhem ITP AT 26×11-12

POWER

Batteries	2 pcs
Charging station	1 pc
Runtime	120-180 min

COMMS & NAVIGATION

Radio link	430 MHz (720/865/915)
Channel	4G LINK, remote access
Navigation	GNSS dual-stream, RTK
Range	up to 10 km (18 w/ repeater)
Station	all-in-one

OPTIONS

Mounts	robotic arms, manipulators
Wheels	steel / track system
Evacuation	casualty-evac system
Mobile station	remote antennas

PACKAGE CONTENTS

- 2 × batteries + charging station
- Mobile station with remote antennas
- All-in-one control station
- Mounting kit (custom)



GROUND ROBOTIC SYSTEM

UGV 1000

Four-wheel ground platform with skid-steer control and 100 kg payload. Sprung suspension, Mayhem ITP tires, mounts for robotic arms and manipulators.

100 KG

4×4

4G LINK

GNSS RTK

SKID-STEER

100 kg
PAYLOAD

120 min
RUNTIME

10 km
RANGE

18 km
WITH REPEATER

2 pcs
BATTERIES

PLATFORM

Base size	750 × 1000 × 400 mm
Payload	100 kg
Wheelbase	4×4, skid-steer
Suspension	sprung
Tires	Mayhem ITP AT 18×8-10

COMMS & NAVIGATION

Radio link	430 MHz (720/865/915)
Channel	4G LINK, remote access
Navigation	GNSS dual-stream, RTK
Range	up to 10 km (18 w/ repeater)
Station	all-in-one

PACKAGE CONTENTS

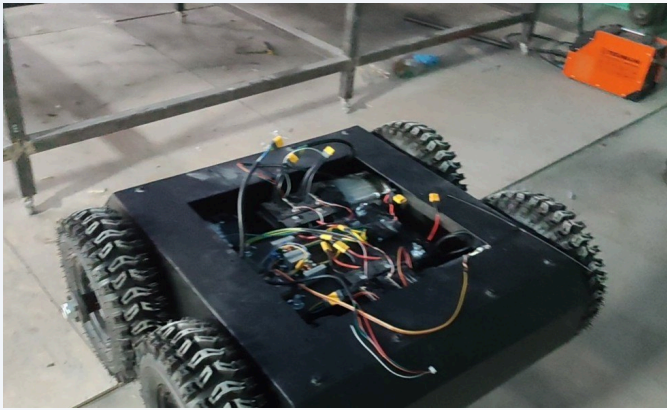
- 2 × batteries + charging station
- Mobile station with remote antennas
- All-in-one control station
- Mounting kit (custom)

POWER

Batteries	2 pcs
Charging station	1 pc
Runtime	90-120 min

OPTIONS

Mounts	robotic arms, manipulators
Wheels	steel / track system
Mobile station	remote antennas



GROUND ROBOTIC SYSTEM

UGV 700

Compact four-wheel skid-steer platform with 50 kg payload. Fiber-optic tether option, can be used as a kamikaze drone.

50 KG

4×4

FIBER-OPTIC

GNSS RTK

KAMIKAZE

50 kg

PAYLOAD

90 min

RUNTIME

10 km

RANGE

18 km

WITH REPEATER

1 pc

BATTERY

PLATFORM

Base size	450 × 700 × 250 mm
Payload	50 kg
Wheelbase	4×4, skid-steer
Tires	Mayhem ITP AT 12×6-7

COMMS & NAVIGATION

Radio link	430 MHz (720/865/915)
Wired	fiber-optic
Navigation	GNSS dual-stream, RTK
Range	up to 10 km (18 w/ repeater)
Station	all-in-one

PACKAGE CONTENTS

- Battery + charger
- Mobile station with remote antennas
- All-in-one control station
- Mounting kit (custom)

POWER

Batteries	1 pc
Runtime	90 min

OPTIONS

Mounts	robotic arms, manipulators
Wheels	steel system
Mode	kamikaze drone
Mobile station	remote antennas



AERIAL ROBOTIC SYSTEM

VTOOL 4000

Aerial platform with 50 kg payload and up to 170 km/h speed. Carrier for kamikaze drones, fiber-optic tethering for loitering munitions.

50 KG

170 KM/H

100 KM RANGE

GNSS RTK

CARRIER

50 kg

PAYLOAD

170 km/h

SPEED

120 min

FLIGHT TIME

100 km

RANGE

2 pcs

BATTERIES

PLATFORM

Base size	4090 × 2100 × 750 mm
Payload	50 kg
Speed	up to 170 km/h
Flight time	120 min

COMMS & NAVIGATION

Radio link	FHSS 430 MHz
Range	up to 100 km
Navigation	GNSS dual-stream, RTK
Station	all-in-one

PACKAGE CONTENTS

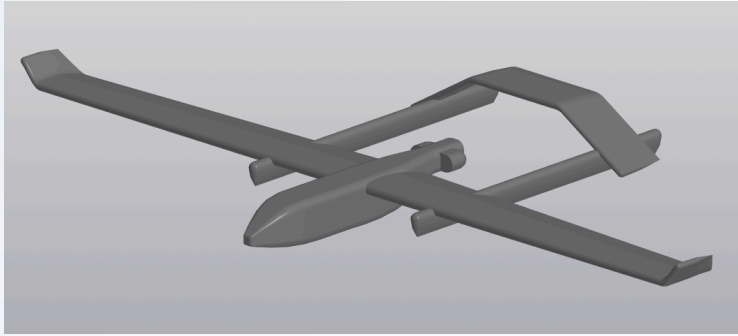
- 2 × batteries + charging station
- Mobile station with remote antennas
- All-in-one control station
- Mounting kit (custom)

POWER

Batteries	2 pcs
Charging station	1 pc

OPTIONS

Carries	kamikaze drones
Wired	fiber-optic for munitions
Mounts	custom
Mobile station	remote antennas



AERIAL ROBOTIC SYSTEM

ARS 5000

Aerial platform with 120 kg payload and 220 km/h speed. Hybrid powertrain: up to 420 min on ICE. Interchangeable ICE / electric engines.

120 KG

220 KM/H

ICE 420 MIN

GNSS RTK

KAMIKAZE

120 kg

PAYLOAD

220 km/h

SPEED

420 min

ICE TIME

100 km

RANGE

1 pc

BATTERY

PLATFORM

Base size	5070 × 2100 × 750 mm
Payload	120 kg
Speed	220 km/h
Flight time	120 min (elec.) / 420 min (ICE)

COMMS & NAVIGATION

Radio link	FHSS 430 MHz
Range	up to 100 km
Navigation	GNSS dual-stream, RTK
Station	all-in-one

PACKAGE CONTENTS

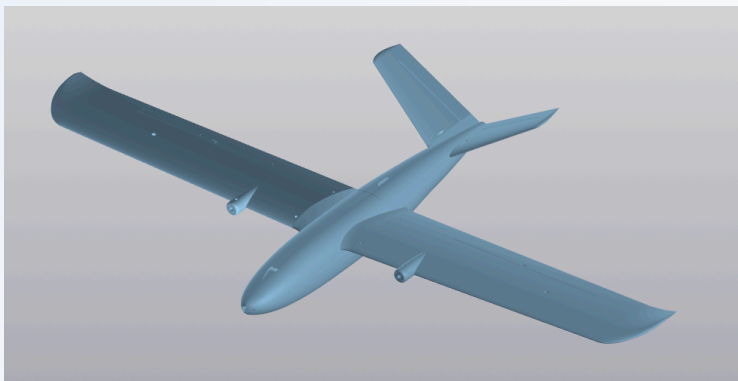
- Battery + charging station
- Mobile station with remote antennas
- All-in-one control station
- Mounting kit (custom)

POWERTRAIN

Type	ICE / electric (swappable)
Batteries	1 pc
Charging station	1 pc

OPTIONS

Mode	kamikaze drone
Engines	swap ICE / electric
Mounts	custom
Mobile station	remote antennas



AERIAL ROBOTIC SYSTEM

ARS 1700

High-speed aerial platform (170 km/h) with 5 kg payload. Compact, can be used as a kamikaze drone.

5 KG

170 KM/H

30 KM RANGE

KAMIKAZE

5 kg

PAYLOAD

170 km/h

SPEED

20 min

FLIGHT TIME

30 km

RANGE

1 pc

BATTERY

PLATFORM

Base size	1700 × 1200 × 250 mm
Payload	5 kg
Speed	170 km/h
Flight time	20 min

COMMS & NAVIGATION

Radio link	FHSS 430 MHz
Range	up to 30 km
Station	all-in-one

PACKAGE CONTENTS

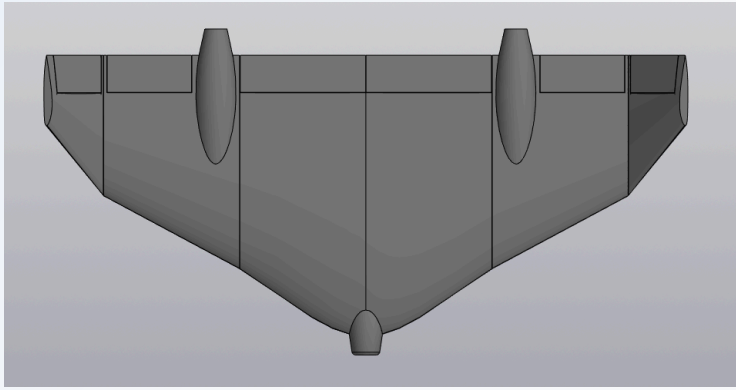
- Battery
- Mobile station with remote antennas
- All-in-one control station
- Mounting kit (custom)

POWER

Batteries	1 pc
-----------	------

OPTIONS

Mode	kamikaze drone
Mounts	custom
Mobile station	remote antennas



AERIAL ROBOTIC SYSTEM

ARS 1100

Long-range aerial platform (up to 120 km) at 170 km/h with 120 min flight time. 3.5 kg payload, can be used as a kamikaze drone.

3.5 KG

170 KM/H

120 KM RANGE

KAMIKAZE

3.5 kg

PAYLOAD

170 km/h

SPEED

120 min

FLIGHT TIME

120 km

RANGE

1 pc

BATTERY

PLATFORM

Base size	1700 × 1200 × 400 mm
Payload	3.5 kg
Speed	170 km/h
Flight time	120 min

COMMS & NAVIGATION

Radio link	FHSS 430 MHz
Range	up to 120 km
Station	all-in-one

PACKAGE CONTENTS

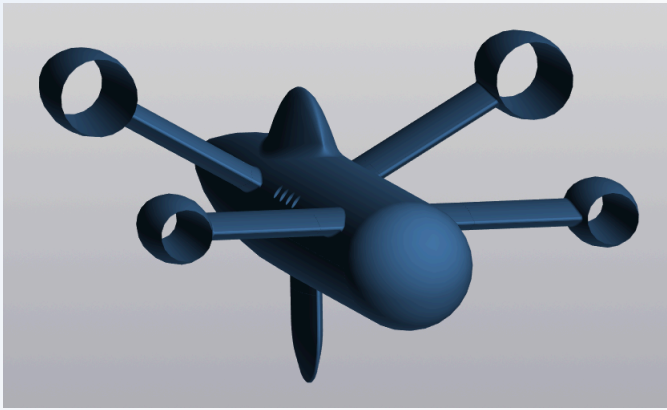
- Battery
- Mobile station with remote antennas
- All-in-one control station
- Mounting kit (custom)

POWER

Batteries	1 pc
-----------	------

OPTIONS

Mode	kamikaze drone
Mounts	custom
Mobile station	remote antennas



UNDERWATER ROBOTIC SYSTEM

URS 13000

Large underwater robotic system with 1500 kg payload and 17 knots speed. Next-gen hydro-turbine, can be used as a carrier drone.

1500 KG

17 KNOTS

120 KM RANGE

HYDRO-TURBINE

CARRIER

1500 kg
PAYLOAD

17 kn
SPEED

120 min
RUNTIME

120 km
RANGE

2 pcs
BATTERIES

PLATFORM

Base size	13000 × 6000 × 4500 mm
Payload	1500 kg
Speed	17 knots
Runtime	120 min

COMMS & NAVIGATION

Radio link	FHSS 430 MHz
Range	up to 120 km
Navigation	GNSS dual-stream
Station	all-in-one

PACKAGE CONTENTS

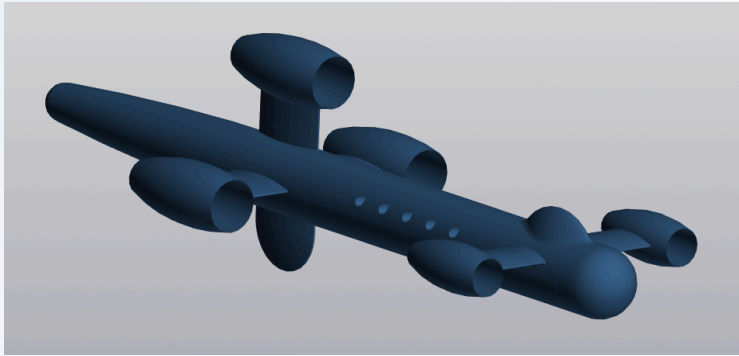
- 2 × batteries
- Mobile station with remote antennas
- All-in-one control station
- Mounting kit (custom)

PROPULSION & POWER

Drive	next-gen hydro-turbine
Batteries	2 pcs

OPTIONS

Mode	carrier drone
Mounts	custom
Mobile station	remote antennas



UNDERWATER ROBOTIC SYSTEM

URS 12000

Underwater robotic system with 1000 kg payload and 17 knots speed. Next-gen hydro-turbine, can be used as a carrier drone.

1000 KG

17 KNOTS

120 KM RANGE

HYDRO-TURBINE

CARRIER

1000 kg
PAYLOAD

17 kn
SPEED

120 min
RUNTIME

120 km
RANGE

2 pcs
BATTERIES

PLATFORM

Base size	12000 × 5000 × 4000 mm
Payload	1000 kg
Speed	17 knots
Runtime	120 min

COMMS & NAVIGATION

Radio link	FHSS 430 MHz
Range	up to 120 km
Navigation	GNSS dual-stream
Station	all-in-one

PACKAGE CONTENTS

- 2 × batteries
- Mobile station with remote antennas
- All-in-one control station
- Mounting kit (custom)

PROPULSION & POWER

Drive	next-gen hydro-turbine
Batteries	2 pcs

OPTIONS

Mode	carrier drone
Mounts	custom
Mobile station	remote antennas